

Enquiry for Brushes with Shank

ENQUIRY FORMS

Drawing / description of application

Grid area for drawing or description of application.

Piece number _____

Brush Application dry wet

- derusting
- removing paint
- deburring
- cleaning
- roughening / structuring
- weld dressing
- others _____

Material to be treated ____°C Temperature

- steel
- aluminium
- wood
- stainless steel
- plastic
- others _____

Filling material

- crimped knotted
- steel
- brass coated steel
- brass
- stainless steel
- polyamide
- abrasive filament (SIC)

Besatzstärke _____

Please indicate the dimensions according to the technical drawing (mm): (shank standard 6 mm)

D Diameter _____ mm

H trim height _____ mm

A working width _____ mm

GL overall length _____ mm

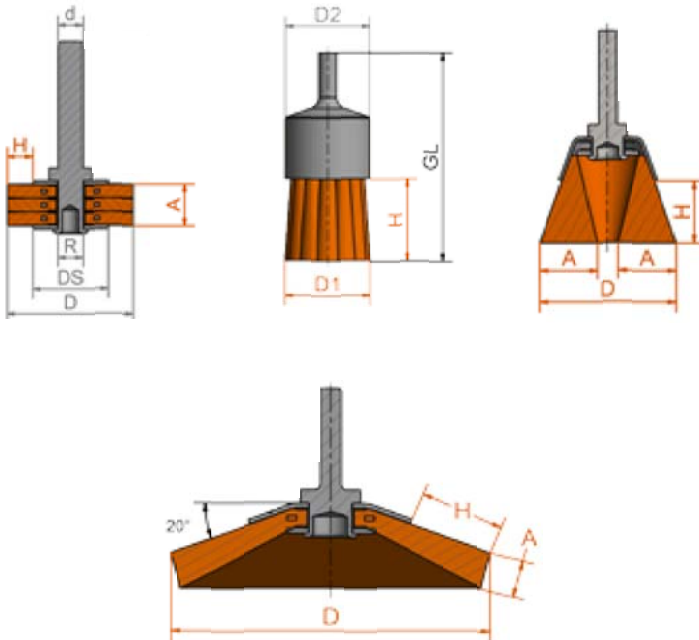
D2 Housing diameter _____ mm

Used machine

- hand-operated machine (e.g. angle grinders) _____
- stationary machine (z.B. CNC) _____
- others _____

machine data

max. speed _____



Sender: Company, contact person

Inquiries and Infos:

Phone: +49 9082 707-0

info@lessmann.com

Fax: +49 9082 707-76

www.lessmann.com