

# Enquiry for Disc Brushes

Drawing / description of application

Piece number: \_\_\_\_\_

Brush Application  dry  wet

- deburring
- cleaning
- surface treatment
- others \_\_\_\_\_

Material to be treated \_\_\_\_\_ °C Temperature

- steel
- aluminium
- wood
- stainless steel
- plastic
- others \_\_\_\_\_

Filling material

- steel
- brass coated steel
- brass
- stainless steel
- polypropylene
- polyethylene
- polyamide
- abrasive filament (SIC)
- abrasive filament (AO)
- fibre
- horse hair

Diameter of filling material \_\_\_\_\_

Filling density



- light
- medium
- close

Filling placement



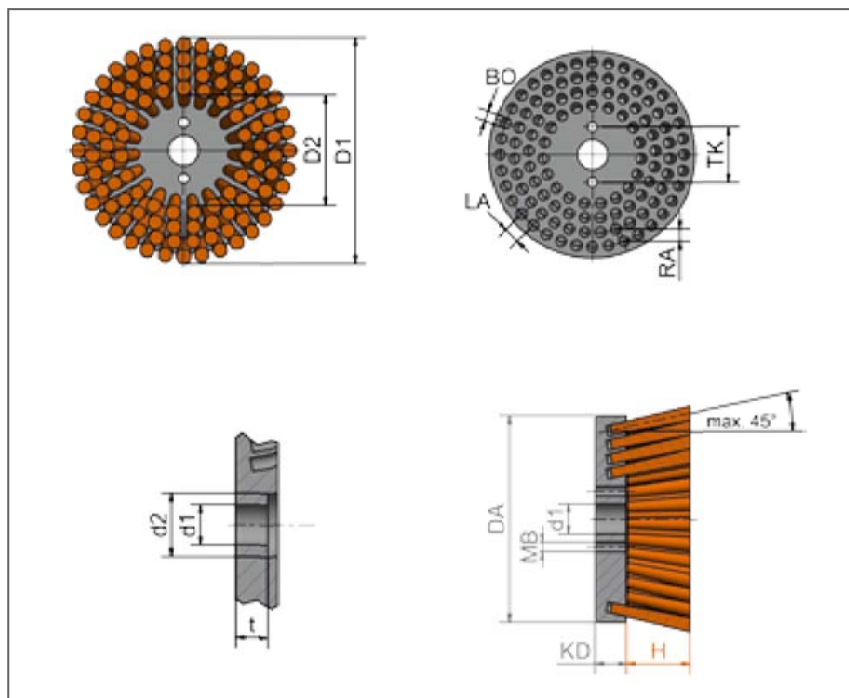
- full seat
- block fill
- dynamic fill

Please mention measurements according to drawing (mm)

- DA body diameter \_\_\_\_\_ mm
- D1 outer diameter \_\_\_\_\_ mm
- D2 inner diameter \_\_\_\_\_ mm
- KD body thickness \_\_\_\_\_ mm
- d1 bore \_\_\_\_\_ mm
- d2 diameter counterbore \_\_\_\_\_ mm
- TK pitch circle drive bore \_\_\_\_\_ mm
- MB diameter drive bore \_\_\_\_\_ mm
- H trim height \_\_\_\_\_ mm
- Stocking skew \_\_\_\_\_ °

Body material

- polypropylene (standard)
- other \_\_\_\_\_



sender: company, contact person

**Inquiries and Infos:**

Phone: +49 9082 707-0 info@lessmann.com  
 Fax: +49 9082 707-76 www.lessmann.com